

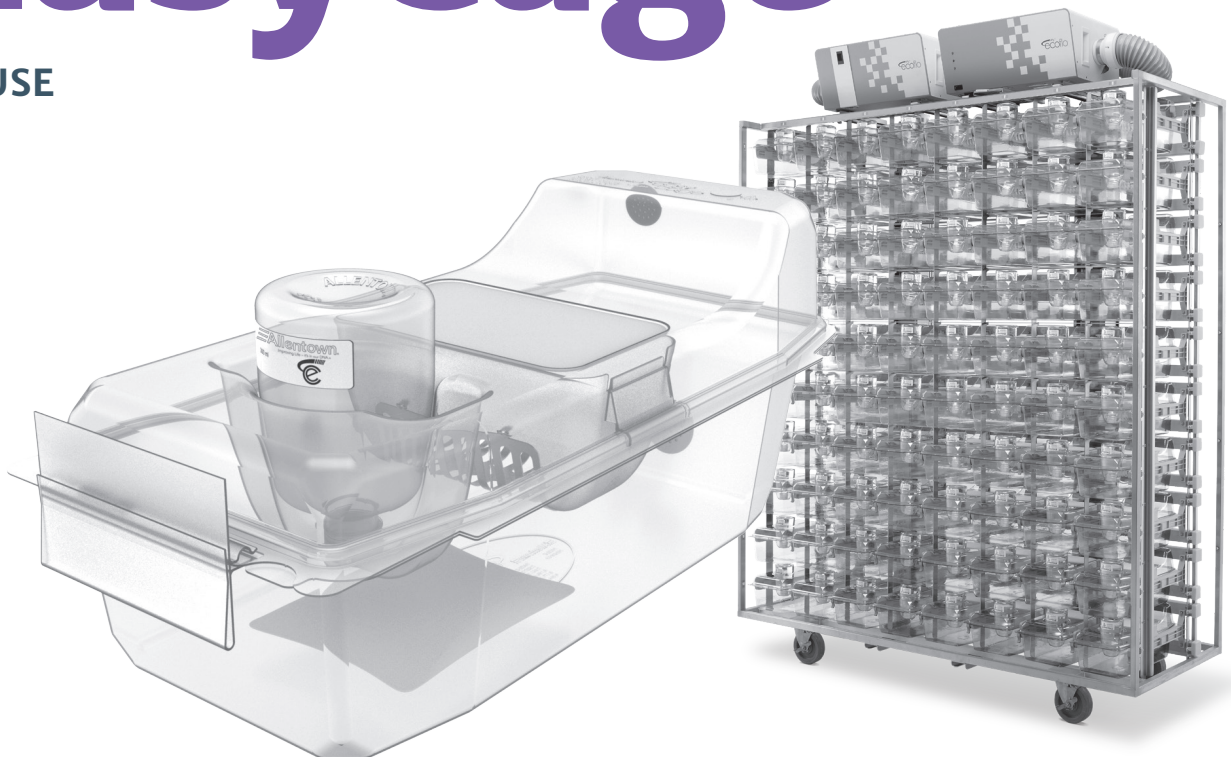


**Your trusted global partner
in life-saving research.**

For over 50 years, Allentown has provided critical solutions to the biomedical research community. Our high-quality equipment and advanced vivarium systems continue to define and exceed industry standards. Like everything we do, our unparalleled customer service is stamped with the Allentown hallmarks of integrity, dedication and care.

EasyCage®

MOUSE



OVERVIEW

Providing critical solutions with integrity and care.



Single-Use, Recyclable, Retrofittable Caging

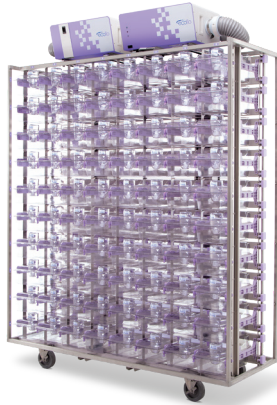
EasyCage Mouse is a single-use, recyclable, retrofittable caging option that works in conjunction with Allentown's NexGen Mouse IVCs. Because it's single-use, the EasyCage eliminates cage processes such as washing and autoclaving, streamlining vivarium operations while at the same time improving performance, bio-security, ergonomics, and energy consumption.

All plastic components come decontaminated and ready to use right out of the box.

Once assembled, EasyCages can then be placed directly into a NexGen Mouse IVC and used immediately.

When finished using, bedding is discarded and the cage can then be recycled or disposed of. With no post-use processing necessary, putting cages in to and out of use couldn't be any easier.

COMPONENTS



IVC System

Positive or negative precision air controlled rack

Exhaust plenum always negative to the room

Up to 180-cage capacity

Whole rack system and cages are autoclavable up to 134 °C¹ and chemically sterilisable

Plastic (polysulfone) cage support runners with integrated spring-operated cage lock with docking indicator

Ergonomic, single-finger motion docking with auto-locking feature

Multi-directional 127 mm and 89 mm diameter stainless steel casters with gray polypropylene wheels with sealed ball bearings and four foot-operated brakes

Dismantable horizontal airflow manifolds with tethered dual plastic end caps for ease of cleaning

Rear exhaust and supply plenum configurations for single-sided IVCs, or same side exhaust and supply plenum configurations for double-sided IVCs

100 mm diameter vertical supply and 100 mm diameter vertical exhaust plenums with back and bottom door access

304 stainless steel, welded frame construction, utilizing both square and rectangular structural tubing

Cage air tubes are 304 stainless steel

Automatic watering available

Row and column identification labels

Model number and serial number identification labels

Compatible with all configurations of EcoFlo™ blowers

Compatible with WiVarium Plus™ and Wi-Com Vantage™

Compatible with Sentinel™ EAD® Colony Health Monitoring system

Compatible with Wi-Com Sensus™ Animal Inventory System

Accommodates both NexGen reusable and EasyCage® single-use cage systems

Cage System

EasyCage Mouse Base

- Made from recyclable, BPA-free, PET
- Floor area: 500 cm²
- Pre-bedding options: NestPak® ALPHA-dri® or 100 g corn cob
- Snap fit with EasyCage Mouse Lid
- Sealed supply filter maintains the micro-environment

EasyCage Mouse Lid

- Made from recyclable, BPA-free, PET
- Integrated bottle well
- Snap fit with EasyCage Mouse Base
- Sealed filters maintain the micro-environment

EasyCage Mouse Feeder

- Recyclable, HDPE plastic
- Aluminum grate
- Food capacity: 454 g
- Reusable beyond one cage change

EasyCage Cardholder

- Recyclable PVC
- Accommodates 76 mm x 102 mm or 76 mm x 127 mm
- Slides onto EasyCage Mouse Lid

EasyCage Watering

- Recyclable, BPA-free, PET
- Purified water
- 300 mL filled (Empty bottles also available)
- Automatic watering version available

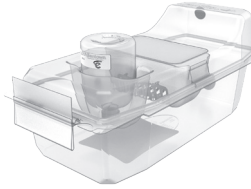
NestPak Bedding

- ALPHA-dri or 100 g corn cob
- A 3-in-1 solution: bedding, nesting and enrichment
- Reduces airborne particulates and allergens
- FDA-approved paper containing a consistent amount of bedding
- Safe for both autoclaving and irradiation

All plastic components come decontaminated and ready to use.

COMPONENTS

Standard Cage System
192 mm x 170 mm x 421 mm
Floor space: 500 cm²



Bottle

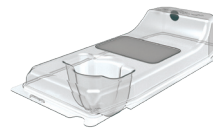


300 mL | 340 g (filled)
Item # 228333-1
(Empty bottle option available:
Item # 228333-4-R | 23 g)

Lid



Hydropac® / Bottle Lid
192 mm x 120 mm x 415 mm | 113 g



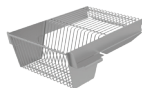
No Bottle Hole Lid
192 mm x 120 mm x 415 mm | 113 g

Cardholder



Accommodates 76 mm x 102 mm or 76 mm x 127 mm | 23 g
Item # 228539-V

WBL / Feeder



Half Pocket Wire Bar Lid
Food capacity: 454 g
175 mm x 75 mm x 239 mm | 218 g
Item # 414085



Plastic Feeder with Aluminum Grate
Food capacity: 454 g
176 mm x 73 mm x 83 mm | 45 g
Item # 316048-R



Feeder Cover Plate
149 mm x 7 mm x 84 mm | 59 g
Item # 230539



Aluminum Feeder
Food capacity: 454 g
176 mm x 73 mm x 81 mm | 36 g
Item # 230306-R

NestPak®



ALPHA-dri® or 100 g Corn Cob

Base



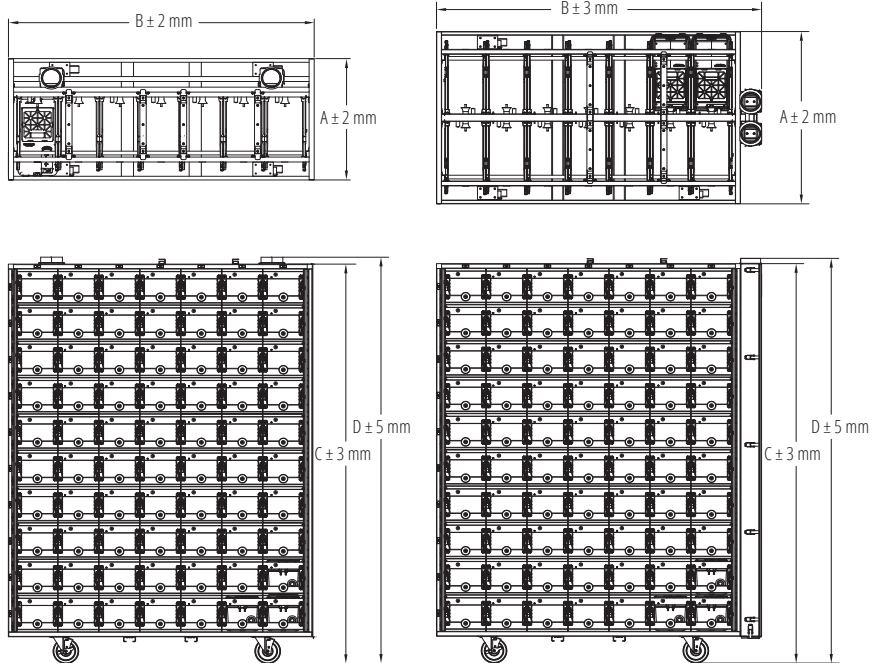
Base
Automatic watering available
192 mm x 103 mm x 415 mm | 136 g
Item # 125908-R

SPECIFICATIONS

Size	Depth (A) mm	Width (B) mm	Height (C) ¹		Height (D) ^{1,2}		Matrix		Sides	Weights ³ (loaded) kg	Weights ³ (unloaded) kg	Animal Capacity	ACH	Supply Air m ³ /hr	Exhaust Air (+) m ³ /hr	Exhaust Air (-) m ³ /hr	Energy Use Watts	Heat Load Watts
			89 mm Casters	127 mm Casters	89 mm Casters	127 mm Casters	Col.	Row										
			mm	mm	mm	mm												
Lo-Profile Rack																		
60	622	1313	1996	2034	2025	2063	6	10	1	227	135	300	50	23.8	18.7	30.6	10.8	9.7
70	622	1518	1996	2034	2025	2063	7	10	1	249	143	350	50	27.2	20.4	34.0	11.1	10.0
80	622	1722	1996	2034	2025	2063	8	10	1	297	176	400	50	30.6	23.8	39.1	11.5	10.4
120	889	1419	1996	2034	2025	2063	6	10	2	356	185	600	50	45.9	34.0	57.8	11.7	10.5
140	889	1624	1996	2034	2025	2063	7	10	2	404	193	700	50	54.4	40.8	68.0	13.0	11.7
160	889	1828	1996	2034	2025	2063	8	10	2	449	223	800	50	61.2	45.9	76.5	13.6	12.3

Standard Rack																		
48 ⁴	622	1313	-	1688	-	1717	6	8	1	178	105	240	50	20.4	16.9	25.5	10.1	9.0
56 ⁴	622	1518	-	1688	-	1717	7	8	1	207	122	280	50	22.1	16.9	32.3	11.0	9.9
63 ⁴	622	1518	-	1875	-	1904	7	9	1	233	137	315	50	23.8	18.6	33.9	12.4	11.1
72 ⁴	622	1722	-	1875	-	1904	8	9	1	266	156	360	50	27.2	20.4	37.4	12.2	10.9
81 ⁴	622	1927	-	1901	-	1930	9	9	1	300	177	405	50	30.6	23.8	42.5	12.3	11.1
112 ⁴	889	1624	-	1688	-	1717	7	8	2	325	159	560	50	42.5	32.3	59.5	12.5	11.3
126 ⁴	889	1624	-	1875	-	1904	7	9	2	365	190	630	50	49.3	37.4	61.2	12.7	11.4
144 ⁴	889	1828	-	1875	-	1904	8	9	2	418	201	720	50	56.1	42.5	76.5	12.8	11.5
162 ⁴	889	2034	-	1901	-	1930	9	9	2	454	224	810	50	62.9	47.6	86.7	14.7	13.3

Note: a) Airflow at sea-level b) Rack weight without blowers, animals, bedding or watering c) Airflow tolerance ± 10 % d) Other configurations available
¹ Height includes casters. Add 247 mm to 297 mm for rack mounted blowers ² Height includes removable runners and collars ³ All weights are approximations
⁴ 89 mm casters not offered in this configuration

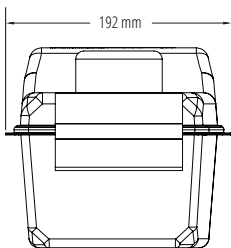
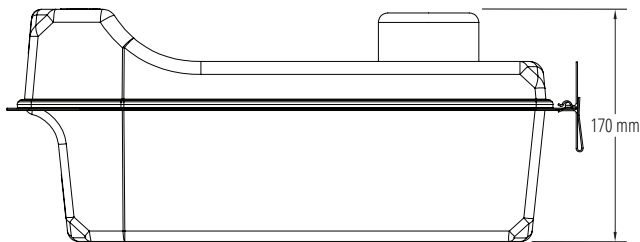
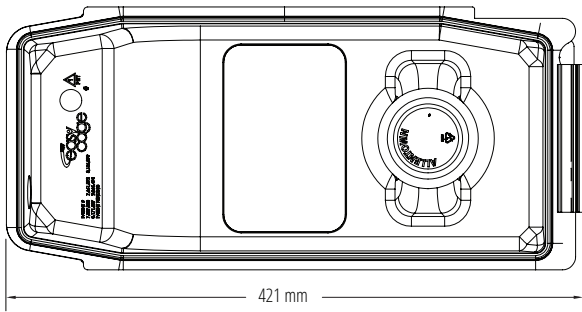


Notes

- 89 mm or 127 mm diameter casters
- Optional top panel
- Optional bumpers may change dimensions
- Multiple blower configurations

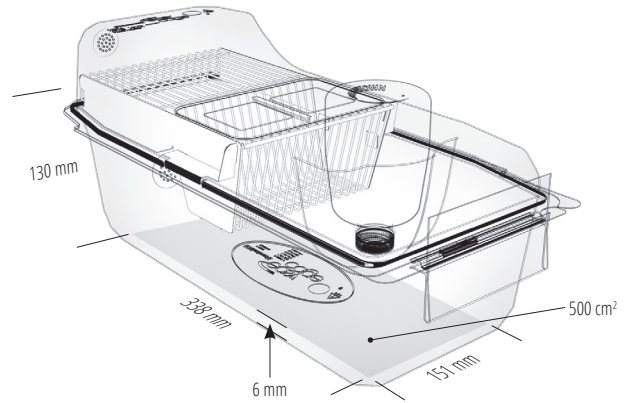
SPECIFICATIONS

External Dimensions

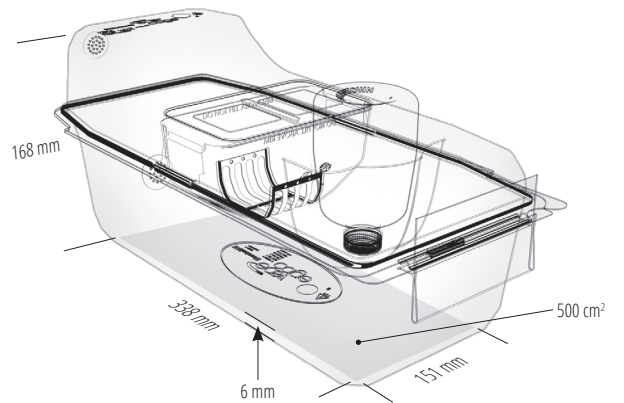


Internal Dimensions

Half Pocket

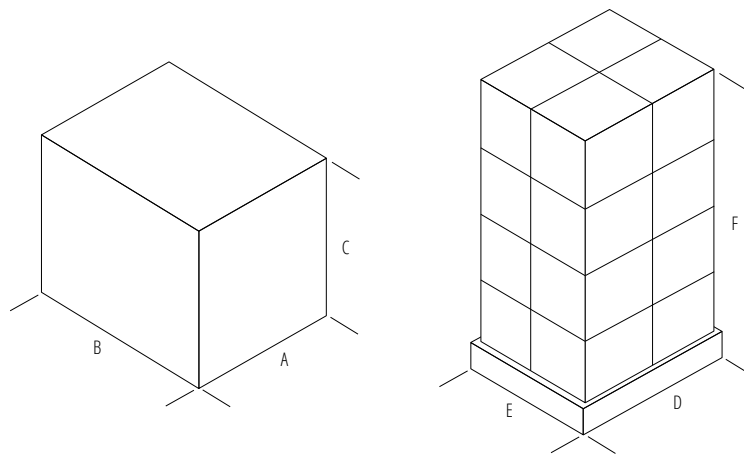


Plastic Feeder with Aluminum Grate



SPECIFICATIONS – PACKAGING

Description	Box				Pallet			
	Items per Box	Depth (A)	Width (B)	Height (C)	Items per Pallet	Depth (D)	Width (E)	Height (F)
		mm	mm	mm		mm	mm	mm
Bottle								
Filled	20	279	356	114	1080	1219	1016	832
Empty	96	495	295	442	3072	1219	1016	1911
Lid								
Hydropac® / Bottle	100	381	470	432	3000	1219	1016	2286
Cardholder								
Plastic	100	241	203	311	12000	1219	1016	2026
Feeder								
Plastic with Aluminum Grate	100	437	358	257	4800	1219	1016	2225
Aluminum	100	445	375	186	4500	1219	1016	1467
Base								
Empty	50	318	470	432	1750	1219	1016	2286
Bedded (100 g Corn Cob)	50	461	470	426	1000	965	965	2286
Bedded (ALPHA-dri)	50	461	470	426	1000	965	965	2286



Half Pocket Wire Bar Lid

