

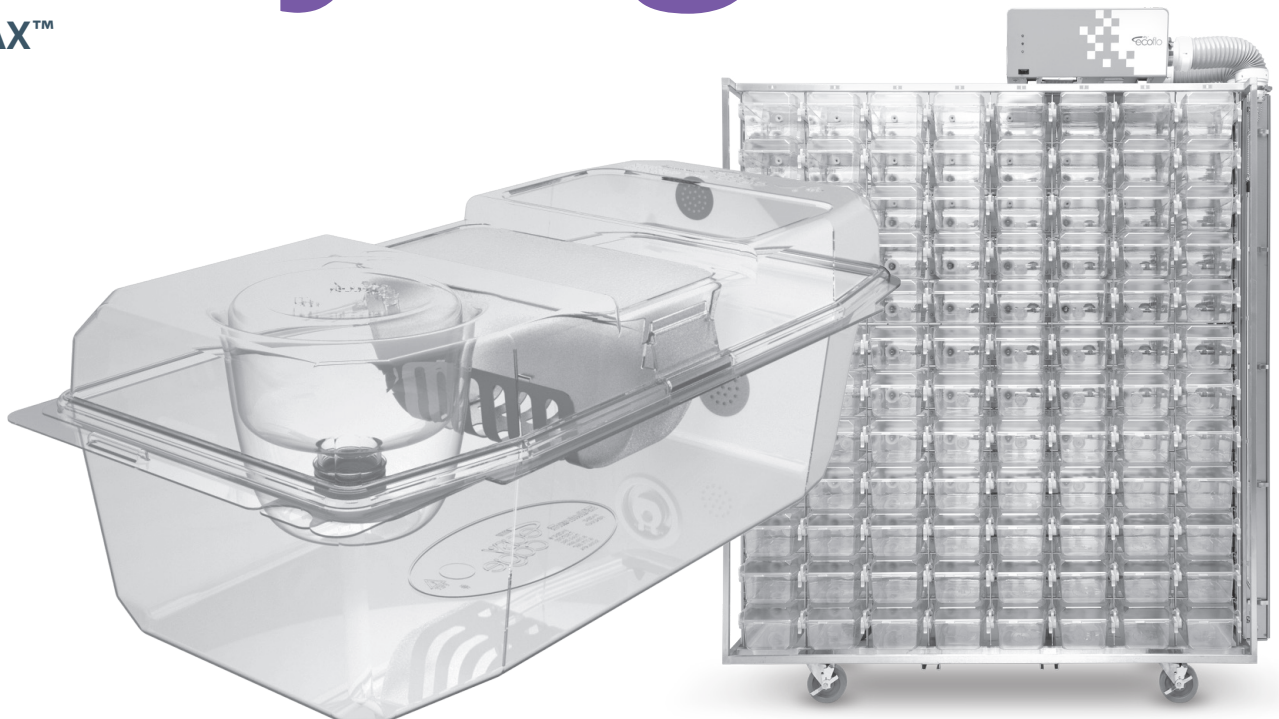


**Your trusted global partner
in life-saving research.**

For over 50 years, Allentown has provided critical solutions to the biomedical research community. Our high-quality equipment and advanced vivarium systems continue to define and exceed industry standards. Like everything we do, our unparalleled customer service is stamped with the Allentown hallmarks of integrity, dedication and care.

EasyCage®

MAX™



OVERVIEW

Providing critical solutions with integrity and care.

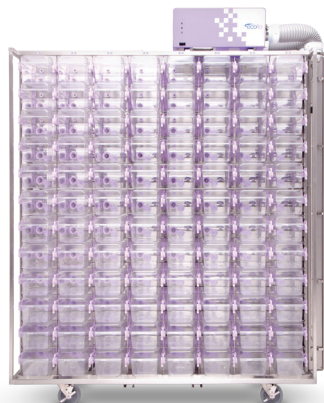
**20%
MORE CAGES
IN THE SAME SIZE IVC**



More Room. In the Same Room.

With the cost of floor space increasing with each passing year, every research facility in the Lab Animal Science industry understands the need to maximize cage density within their vivarium. Enter EasyCage® MAX and NexGen MAX, the new Maximum Density IVC and Cage Systems from Allentown that increases cage density by 20% - using IVCs that are the same size and occupy the same footprint as our standard units. Available with automatic watering, or with optional bottle, MAX IVCs accommodate both the EasyCage MAX single-use cage system AND the NexGen MAX reusable cage system. One rack, two cage types, many, many more cages. Just what you'd expect from a Solutions Provider.

COMPONENTS



IVC System

Positive or negative precision air controlled rack

Exhaust plenum always negative to the room

Up to 192-cage capacity

Whole rack system and cages are autoclavable up to 134 °C¹ and chemically sterilisable

Plastic (polysulfone) cage support runners with integrated spring-operated cage lock with docking indicator

Ergonomic, single-finger motion docking with auto-locking feature

Multi-directional 127 mm and 89 mm diameter stainless steel casters with gray polypropylene wheels with sealed ball bearings and four foot-operated brakes

Dismantable horizontal airflow manifolds with tethered dual plastic end caps for ease of cleaning

Rear exhaust and supply plenum configurations for single-sided IVCs, or same side exhaust and supply plenum configurations for double-sided IVCs

100 mm diameter vertical supply and 100 mm diameter vertical exhaust plenums with back and bottom door access

304 stainless steel, welded frame construction, utilizing both square and rectangular structural tubing

Cage air tubes are 304 stainless steel

Automatic watering available

Row and column identification labels

Model number and serial number identification labels

Compatible with all configurations of EcoFlo™ blowers

Compatible with WiVarium Plus™ and Wi-Com Vantage™

Compatible with Sentinel™ EAD® colony health monitoring system

Compatible with Wi-Com Sensus™ RFID census solution

Accommodates both NexGen MAX reusable and EasyCage® MAX single-use cage systems

Cage System

EasyCage Mouse Base

- Made from recyclable, BPA-free, PET
- Floor area: 500 cm²
- Pre-bedding options: NestPak® ALPHA-dri® or 100 g corn cob
- Snap fit with EasyCage Mouse Lid
- Sealed supply filter maintains the micro-environment

EasyCage MAX Lid

- Made from recyclable, BPA-free, PET
- Integrated bottle well
- Snap fit with EasyCage Mouse Base
- Sealed filters maintain the micro-environment

EasyCage Mouse Feeder

- Recyclable, HDPE plastic
- Aluminum grate
- Food capacity: 454 g
- Reusable beyond one cage change

EasyCage Cardholder

- Recyclable PVC
- Accommodates 76 mm x 102 mm or 76 mm x 127 mm
- Slides onto EasyCage Mouse Lid

EasyCage Watering

- Recyclable, BPA-free, PET
- Purified water
- 250 mL filled (Empty bottles also available)
- Automatic watering version available

NestPak Bedding

- ALPHA-dri or 100 g corn cob
- A 3-in-1 solution: bedding, nesting and enrichment
- Reduces airborne particulates and allergens
- FDA-approved paper containing a consistent amount of bedding
- Safe for both autoclaving and irradiation

All plastic components come decontaminated and ready to use.

COMPONENTS

Standard Cage System
192 mm x 144 mm x 415 mm
Floor space: 500 cm²



Bottle

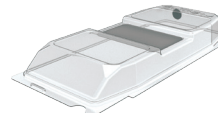


250 mL | 340 g (filled)
Item # 231307-1
(Empty bottle option available:
Item # 231307-4-R | 23 g)

Lid



External Hybrid Lid
192 mm x 48 mm x 422 mm | 113 g



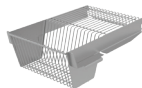
Micro Barrier Lid
192 mm x 48 mm x 422 mm | 113 g

Cardholder



Accommodates 76 mm x 102 mm or 76 mm x 127 mm | 23 g
Item # 228539-V

WBL / Feeder



Half Pocket Wire Bar Lid
Food capacity: 454 g
175 mm x 75 mm x 239 mm | 218 g
Item # 414085



Plastic Feeder with Aluminum Grate
Food capacity: 454 g
176 mm x 73 mm x 83 mm | 45 g
Item # 316048-R



Feeder Cover Plate
149 mm x 7 mm x 84 mm | 59 g
Item # 230529



Aluminum Feeder
Food capacity: 454 g
176 mm x 73 mm x 81 mm | 36 g
Item # 230306-R

NestPak®



ALPHA-dri® or 100 g Corn Cob

Base



Base
Automatic watering available
192 mm x 103 mm x 415 mm | 136 g
Item # 125908-R

SPECIFICATIONS

Size	Depth (A) mm	Width (B) mm	Height (C) ¹		Height (D) ^{1,2}		Matrix		Sides	Weights ³ (loaded) kg	Weights ³ (unloaded) kg	Animal Capacity	ACH	Supply Air m ³ /hr	Exhaust Air (+) m ³ /hr	Exhaust Air (-) m ³ /hr	Energy Use Watts	Heat Load Watts
			89 mm Casters	127 mm Casters	89 mm Casters	127 mm Casters	Col.	Row										
			mm	mm	mm	mm												
High																		
60	622	1313	1794	1832	1823	1861	6	10	1	220	152	300	50	18.53	14.79	22.10	14.9	13.5
70	622	1518	1794	1832	1823	1861	7	10	1	243	164	350	50	21.59	17.17	25.84	15.7	14.1
80	622	1722	1794	1832	1823	1861	8	10	1	266	176	400	50	24.65	19.72	29.58	16.4	14.7
120	889	1419	1794	1832	1823	1861	6	10	2	313	177	600	50	36.89	29.58	44.37	19.2	17.4
140	889	1624	1794	1832	1823	1861	7	10	2	360	201	700	50	43.18	34.51	51.68	20.6	18.6
160	889	1828	1794	1832	1823	1861	8	10	2	406	224	800	50	49.30	39.44	59.16	22.0	19.8
High																		
66	622	1313	1958	1996	1987	2025	6	11	1	234	159	330	50	20.40	16.32	24.48	15.4	13.8
77	622	1518	1958	1996	1987	2025	7	11	1	260	172	385	50	23.80	19.04	28.39	16.2	14.5
88	622	1722	1958	1996	1987	2025	8	11	1	285	185	440	50	27.03	21.76	32.47	16.9	15.2
132	889	1419	1958	1996	1987	2025	6	11	2	341	191	660	50	40.63	32.47	48.79	20.0	18.0
154	889	1624	1958	1996	1987	2025	7	11	2	392	217	770	50	47.43	37.91	56.95	21.6	19.4
176	889	1828	1958	1996	1987	2025	8	11	2	443	243	880	50	54.23	43.35	65.11	23.2	20.8
High																		
72 ⁴	622	1313	2122	-	2150	-	6	12	1	285	166	360	50	22.10	17.00	27.20	15.8	14.2
84 ⁴	622	1518	2122	-	2150	-	7	12	1	299	180	420	50	25.50	20.40	30.60	16.6	15.0
96 ⁴	622	1722	2122	-	2150	-	8	12	1	313	193	480	50	28.90	23.80	35.70	17.5	15.7
144 ⁴	889	1419	2122	-	2150	-	6	12	2	418	183	720	50	44.20	35.70	52.70	20.9	18.8
168 ⁴	889	1624	2122	-	2150	-	7	12	2	446	210	840	50	52.70	40.80	62.90	22.6	20.3
192 ⁴	889	1828	2122	-	2150	-	8	12	2	474	238	960	50	59.50	47.60	71.40	24.3	21.9
MAX																		
72 ⁵	622	1313	1996	2034	2024	2063	6	12	1	277	159	360	50	22.10	17.00	27.20	16.8	15.1
84 ⁵	622	1518	1996	2034	2024	2063	7	12	1	291	172	420	50	25.50	20.40	30.60	17.6	15.8
96 ⁵	622	1722	1996	2034	2024	2063	8	12	1	305	186	480	50	28.90	23.80	35.70	18.4	16.6
144 ⁵	889	1419	1996	2034	2024	2063	6	12	2	433	208	720	50	44.20	35.70	52.70	21.5	19.4
168 ⁵	889	1624	1996	2034	2024	2063	7	12	2	461	235	840	50	52.70	40.80	62.90	23.1	20.8
192 ⁵	889	1828	1996	2034	2024	2063	8	12	2	489	263	960	50	59.50	47.60	71.40	24.7	22.2

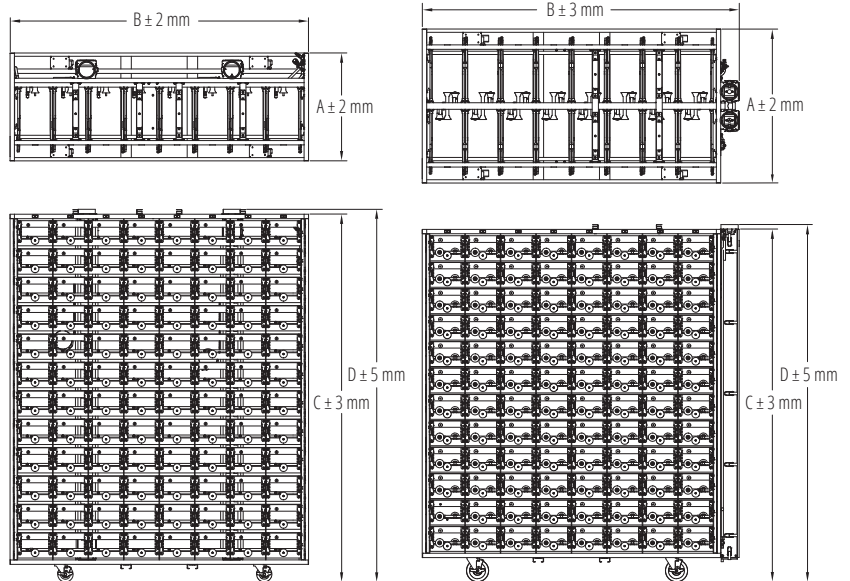
Note: a.) Airflow at sea-level b.) Rack weight without blowers, animals, bedding or watering c.) Airflow tolerance ± 10 % d.) Other configurations available.
¹ Height includes casters. Add 247 mm to 297 mm for rack mounted blowers ² Height includes removable runners and collars ³ All weights are approximations
⁴ 127 mm casters not offered in this configuration ⁵ Cages must be partially undocked to remove water bottle

Notes

Optional top panel

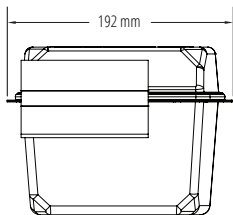
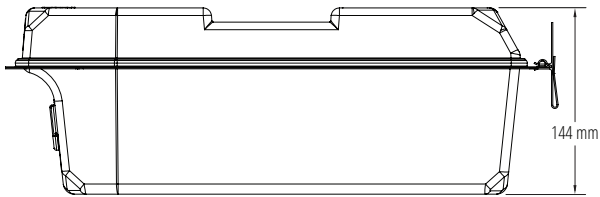
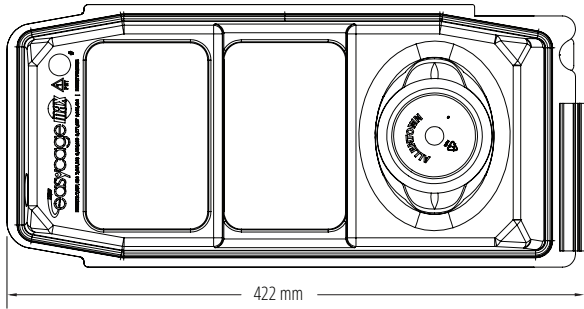
Optional bumpers may change dimensions

Multiple blower configurations



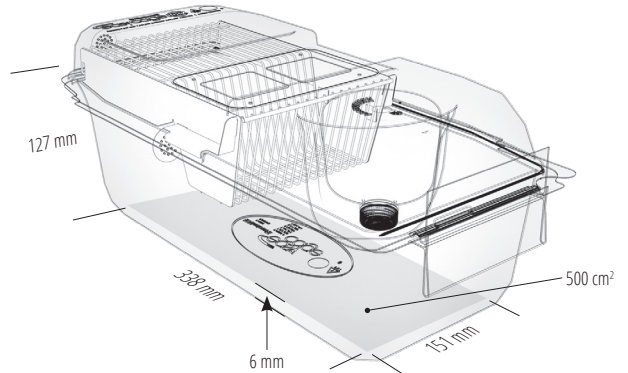
SPECIFICATIONS

External Dimensions

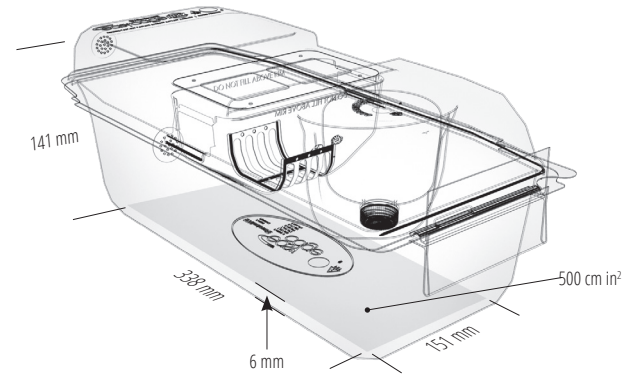


Internal Dimensions

Half Pocket

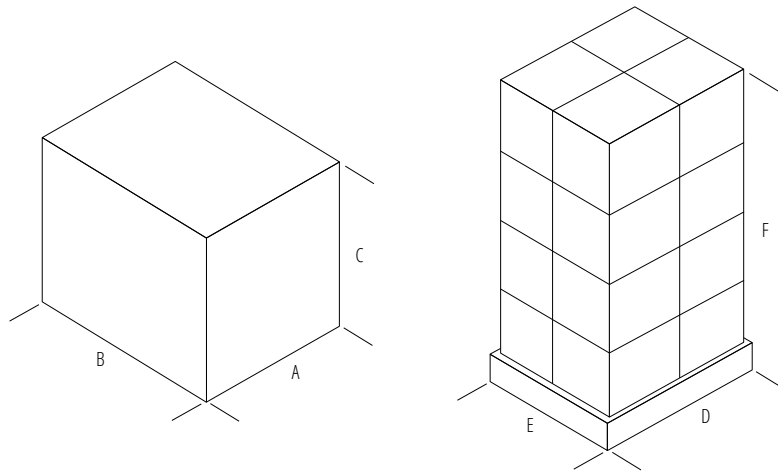


Plastic Feeder with Aluminum Grate



SPECIFICATIONS – PACKAGING

Description	Box				Pallet			
	Items per Box	Depth (A)	Width (B)	Height (C)	Items per Pallet	Depth (D)	Width (E)	Height (F)
		mm	mm	mm		mm	mm	mm
Bottle								
Filled	20	279	356	114	1080	1219	1016	832
Empty	96	495	295	442	3072	48.00	1016	1911
Lid								
Externakl Hybrid	100	381	470	432	3000	1219	1016	2286
Micro Barrier	100	381	470	432	3000	1219	1016	2286
Cardholder								
Plastic	100	241	203	311	12000	1219	1016	2026
Feeder								
Plastic with Aluminum Grate	100	437	358	257	4800	1219	1016	2225
Aluminum	100	445	375	186	4500	1219	1016	1467
Base								
Empty	50	318	470	432	1750	1219	1016	2286
Bedded (100 g Corn Cob)	50	461	470	426	1000	965	965	2286
Bedded (ALPHA-dri)	50	461	470	426	1000	965	965	2286



Half Pocket Wire Bar Lid

